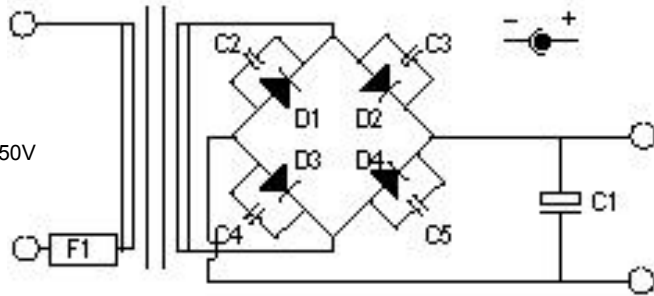


48M Series Powermaster® Adaptors

CIRCUIT DIAGRAM

- (F1) Thermal Fuse: D115 °C
- (C1) Capacitor: 2200µF/25V
- (C2 - C5) Ceramic Capacitors: 0.01µF/50V
- (D1 - D4) 1N5391



INPUT

Rated AC Input Voltage	240V AC
Rated AC Input Frequency	50Hz

OUTPUT

Cat #	T1210P25	T1860P21
Nominal Output Voltage	12V DC ±5V	18V DC ±5V
Maximum Load Current	1000mA	600mA
No-load Voltage	16.9V DC	23.4V DC


ELECTRICAL CHARACTERISTICS

Hi-Pot Test	4kV 50Hz for one minute between Input and Output circuit, no flashover or breakdown shall occur during the test.	
Insulation Test	500V DC applied for one minute between Input and Output circuit, the insulation resistance shall not be less than 100MΩ.	
Temperature Rise	85°C max, primary winding with output full load (R of R method).	
Output Jack Type	T1210P25	T1860P21
	φ 2.5 x 5.5 x 11mm	φ 2.1 x 5.5 x 11mm
Output Jack Wire	AWG#22 x 1800mm	
Polarity	Centre Positive	

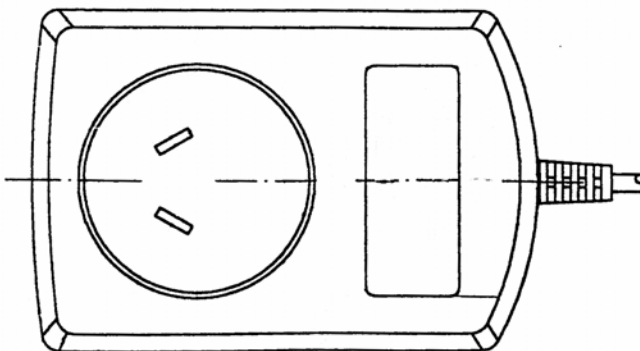
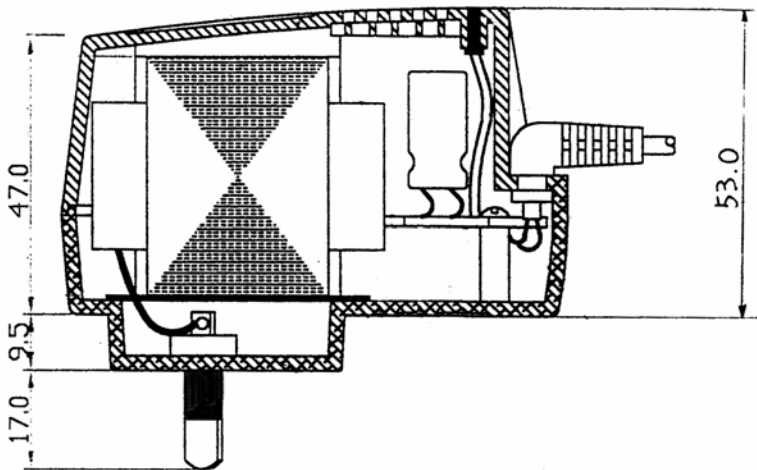
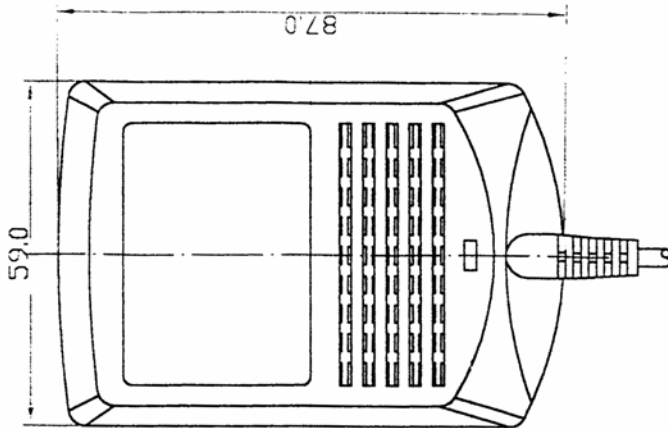
MECHANICAL CHARACTERISTICS

Strain Relief Test	An 89N force is to be applied to the cord or output cord for one minute without displacement or deformation of its anchoring surface. The strain relief shall not be acceptable if there is any movement of the cord to indicate that stress on the connections would have resulted.
Drop Test	Three samples are to be dropped (free fall) three times in succession from a height of 914mm onto a hardwood surface. After completion of the drop test, each sample is to be subjected to the dielectric voltage withstand test as described above. No flashover or insulation breakdown shall occur.
Direct Plug-in Blade Secureness Test	Each blade and the grounding pin shall withstand a direct pull of 89N for 2 minutes without loosening.

AUSTRALIAN COMPLIANCE

Electrical Safety	Certificate number N13816
EMC	ACA Supplier Code N692 

48M Series Powermaster® Adaptors



ACCESS COMMUNICATIONS PTY LTD		COLOR: BLACK
TITLE:	SCALE: 1:1	UNIT: m m
PART NAME	MAT'L:	DATE: 06/12/21
PART NO:	DRAWN:	DATE:
JOB NO:	CHKD:	PAGE OF
MODEL NO:	SHRINK:	