

30G Series Plug-in Switch Mode Power Supply Unit T5432-021

INPUT

	MINIMUM	NORMAL	MAXIMUM
AC Input Voltage	90V AC	100 – 240V AC	264V AC
AC Input Frequency	-3 Hz	50 / 60 Hz	+3 Hz
AC Input Current – 230V AC			0.6A
Input Power			23.16W
Peak Inrush Current	Limited to 35A		
Primary current protection	An internal fuse on the AC input line is provided.		
Configuration	Wall mount, AU-pin, 2-conductors, <Active, Neutral>		

Power consumption at no load

Input current	≤35mA
Power consumption (no load)	0.5W max

OUTPUT

Normal DC Output Voltage	+5.4V
Maximum Load Current	3.5A
Minimum Load Current	0.05A
Rated Output Power	17.28W
Over-voltage Protection	8.1V maximum clamped by internal protection zener.
Over-current Protection	Adaptor protected with ±10% of input voltage change.
Line Regulation	<±7% at rated load with from 10% to 100% of rated load
Load Regulation	<±7% from 10% to 100% of rated load
Short-circuit Protection	The adaptor shall not be damaged by shorting the DC output to Ground with auto recovery functioning correctly.
Ripple and Noise *	100mV p-p
Hold-up Time (min)	10mS minimum at nominal input AC voltage and full load
Output over-shoot	<7% of nominal voltage value
Temperature coefficient	Output voltage temperature coefficient ±0.05%/°C
Turn-on Delay (max)	2 Seconds at nominal input AC voltage and full load
Rise Time	Start-up rise time of <20mS to rise to within regulation limits
Switching Efficiency	74.6% minimum at normal input voltage and output current from 100%, 75%,50% and 25%..

* Voltage measured P-P at 20MHz and output parallel with 100nF ceramic & 10uF electrolytic capacitors to ground. Temperature at 25°C and nominal AC input voltage.

30G Series Plug-in Switch Mode Power Supply Unit T5432-021

MECHANICAL

Dimensions	93.0(L) x 47.0(W) x 34.2(D)mm.
Weight	181g maximum.
Plastic Case	UL94V.
Input Plug Type	Wall type, SAA 2-pin AS/NZS3112:2000
Output Cord	18AWG/2C, 3.5Q, 80 °C, 300V, 1185, 1830mm, Lead Free.
Output Plug	DC Barrel Plug (with fork & groove) - 11 x 5.5 x 2.1mm
Polarity	Center Positive

ENVIRONMENTAL

Cooling	Natural convection.
Operating Temperature	0°C to +30°C
Storage Temperature	-20°C to +80°C
Operating Humidity	10 ~ 90 % Non-condensing
Storage Humidity	10 ~ 90 % Non-condensing

SAFETY

Dielectric withstanding voltage test (Hi-pot test) input to output	3000V AC 10mA for 1 minute.
Insulation Resistance	10MΩ at 500V DC between Input to Output
Leakage Current	0.25mA maximum at normal AC input voltage and frequency

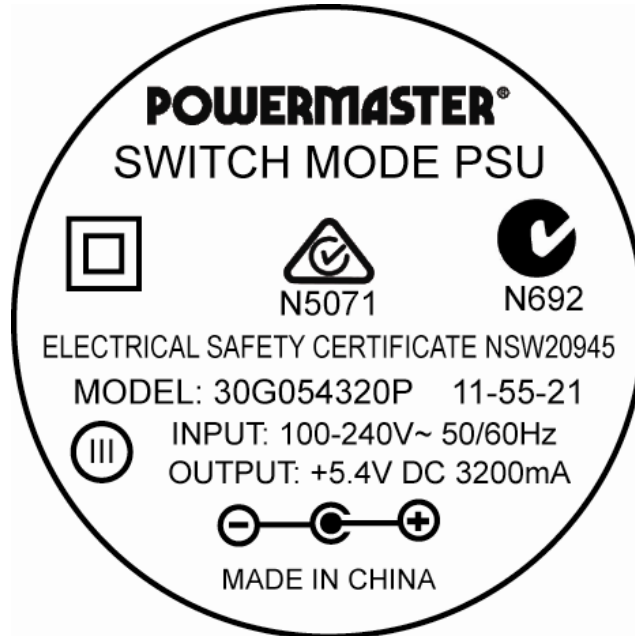
COMPLIANCE

Electrical Safety	Certificate NSW20945
EMC	C-tick N692
Energy Efficiency	MEPS III

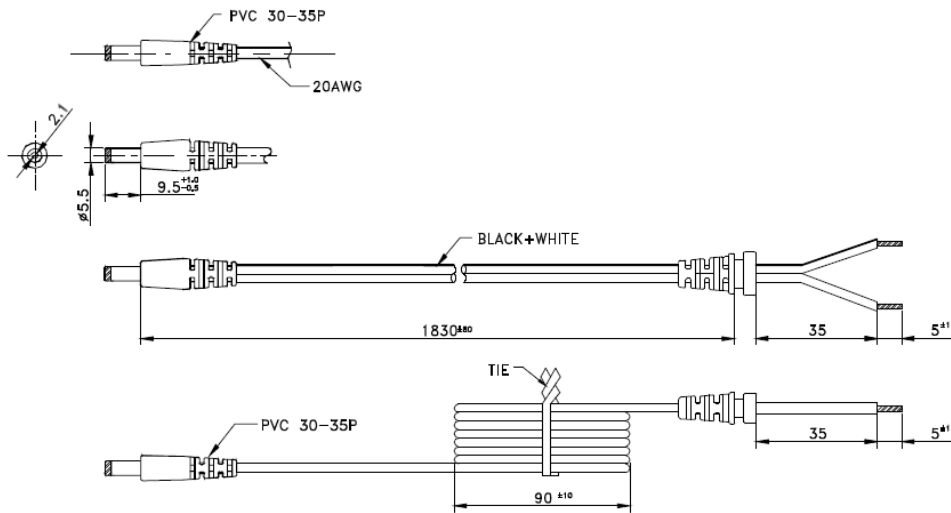
RELIABILITY

Mean Time Between Failure (MTBF)	The power supply is designed to have a MTBF of 50,000 hours.
----------------------------------	--

RATING PLATE



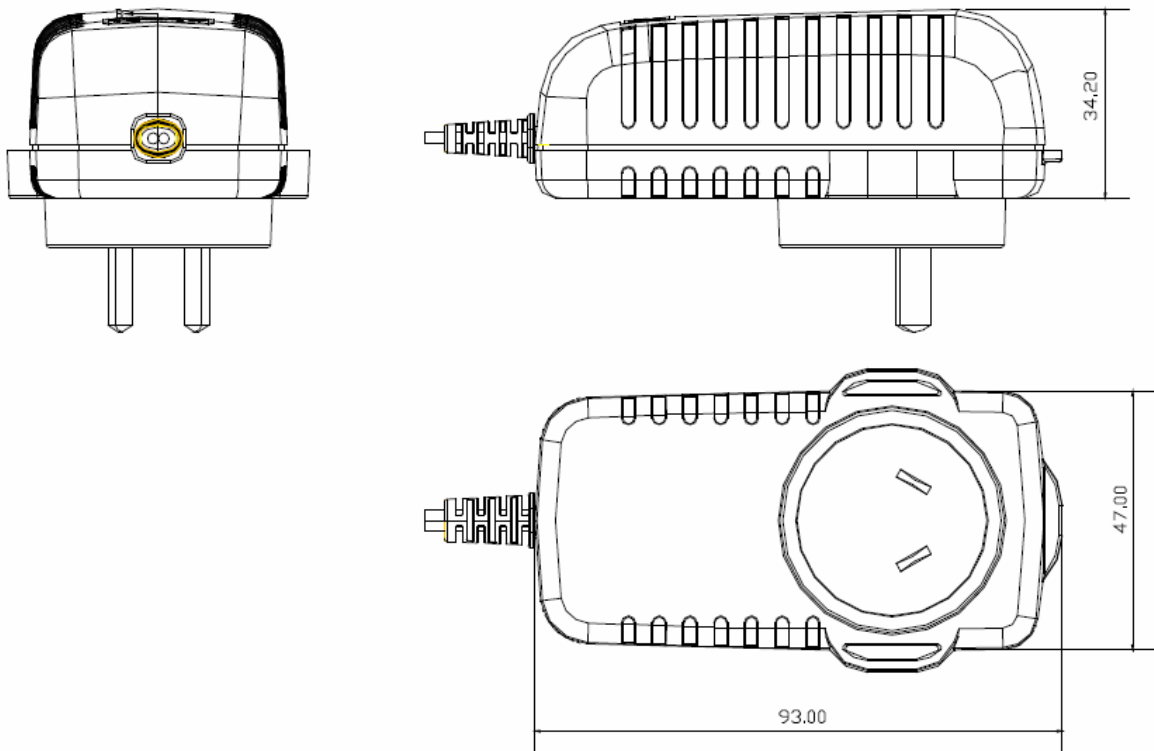
DC OUTPUT CORD DRAWING



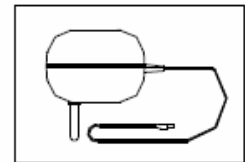
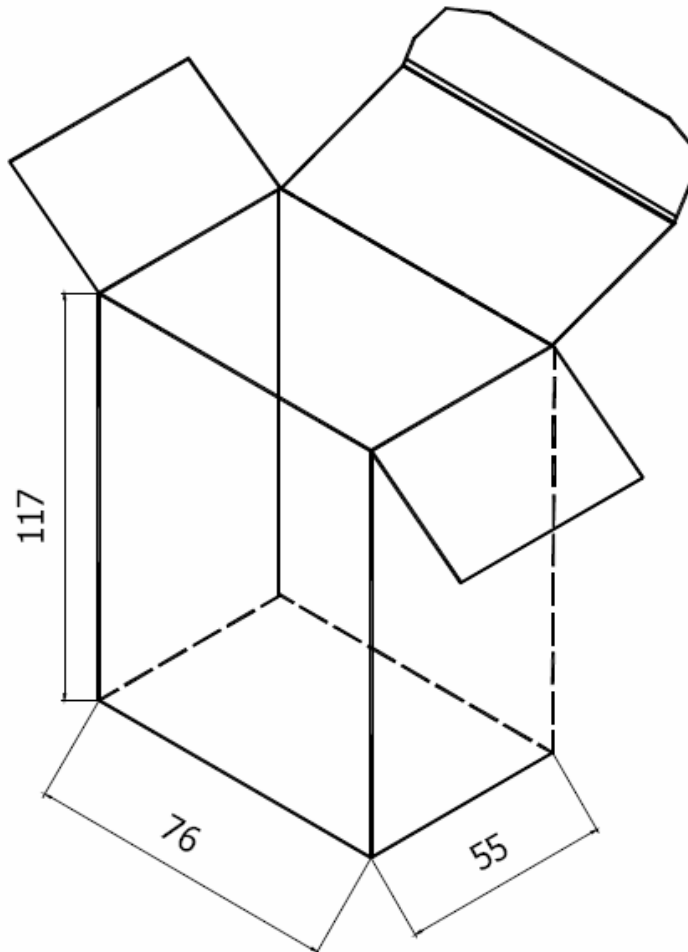
NOTE: (unit:mm)

- 1). WIRE TYPE: 2468 VW-1 80°C 300V L=1830mm 2C 20AWG BLACK+WHITE
BLACK and WHITE-----Positive BLACK-----Negative
- 2). WIRE JACKET MATERIAL: PVC (94V-0)
- 3). THE POLARITY: \ominus \oplus

PRODUCT OUTLINE DRAWING



PACKING DRAWING



Bag