

30G Series Plug-in Switch Mode Power Supply Unit

INPUT

	MINIMUM	NORMAL	MAXIMUM
AC Input Voltage	90V AC	100 – 240V AC	264V AC
AC Input Frequency	-3 Hz	50 / 60 Hz	+3 Hz
AC Input Current – 230V AC			0.6A
Input Power (T1516-25G)			32.0W
Input Power (T1225-21G)			40.0W
Peak Inrush Current	Limited to 35A		
Primary current protection	An internal fuse on the AC input line is provided.		
Configuration	Wall mount, AU-pin, 2-conductors, <Active, Neutral>		

Power consumption at no load

Input current	≤35mA
Power consumption (no load)	0.7W max

OUTPUT

MODEL	T0927-21G	T1225-21G	T1516-25G	T2412-21G
Normal DC Output Voltage	+9V	+12V	+15V	+24V
Maximum Load Current	2.7A	2.5A	1.6A	1.2A
Minimum Load Current	0.05A	0.05A	0.05A	0.05A
Rated Output Power	24.0W	30.0W	24.0W	28.8W
Over-voltage Protection ***	Not Clamped	16.0V	22.5V	Not Clamped
Over-current Protection	Adaptor protected with 200% of rated output.			
Load Regulation	±5% from 10% to 100% of rated load			
Short-circuit Protection	The adaptor shall not be damaged by shorting the DC output to Ground with auto recovery functioning correctly.			
Ripple and Noise *	100mV			
Hold-up Time (min) **	10mS			
Output over-shoot	<7% of nominal voltage value			
Temperature coefficient	Output voltage temperature coefficient ±0.05%/°C			
Turn-on Delay (max)	2 Seconds			
Rise Time	Start-up rise time of <20mS to rise to within regulation limits			
Switching Efficiency	75% minimum at normal input voltage and full load.			

* Voltage measured P-P at 20MHz and output parallel with 100nF ceramic & 10uF electrolytic capacitors to ground. Temperature at 25°C and nominal AC input voltage.

** At nominal AC voltage and full load.

*** Maximum voltage (Zener Clamp).

30G Series Plug-in Switch Mode Power Supply Unit

MECHANICAL

Dimensions	93.0(L) x 47.0(W) x 34.2(D)mm.
Weight (T1516-25G)	181g maximum.
Weight (T1225-21G)	190g maximum.
Input Plug Type	Wall type, SAA 2-pin AS/NZS3112:2000
Output Cord	Wire: 18AWG/2C, 2000mm.
Output Plug (T0927-21G)	DC Barrel Plug (with fork & groove) - 11 x 5.5 x 2.1mm
Output Plug (T1225-21G)	DC Barrel Plug (with fork & groove) - 11 x 5.5 x 2.1mm
Output Plug (T1516-25G)	DC Barrel Plug - 9.5 x 5.5 x 2.5mm
Output Plug (T2412-21G)	DC Barrel Plug (with fork & groove) - 11 x 5.5 x 2.1mm

ENVIRONMENTAL

Cooling	Natural convection.
Operating Temperature (T1516-25G)	0°C to +30°C
Operating Temperature (T1225-21G)	0°C to +40°C
Storage Temperature	-20°C to +80°C
Operating Humidity	10 ~ 90 % Non-condensing
Storage Humidity	10 ~ 90 % Non-condensing

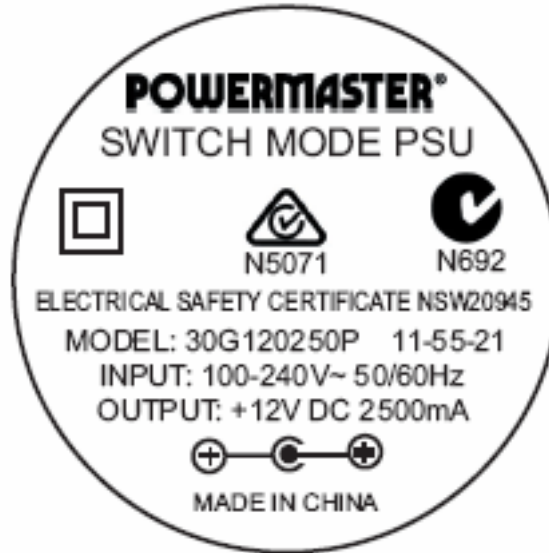
SAFETY

Dielectric withstanding voltage test (Hi-pot test) input to output	3000V AC 10mA for 1 minute..
Insulation Resistance (T1516-25G)	10MΩ at 500V DC between Input to Output
Insulation Resistance (T1225-21G)	50MΩ at 500V DC between Input to Output.
Leakage Current	0.25mA maximum at normal AC input voltage and frequency

RELIABILITY

Mean Time Between Failure (MTBF)	The power supply is designed to have a MTBF of 50,000 hours.
----------------------------------	--

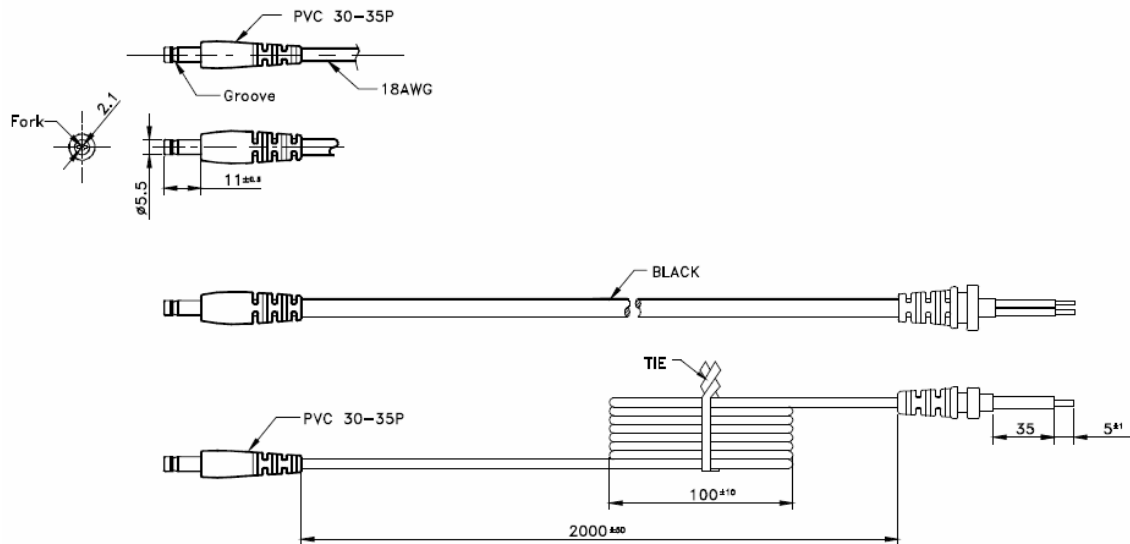
RATING PLATE EXAMPLE (T1225-21G)



30G Series Plug-in Switch Mode Power Supply Unit

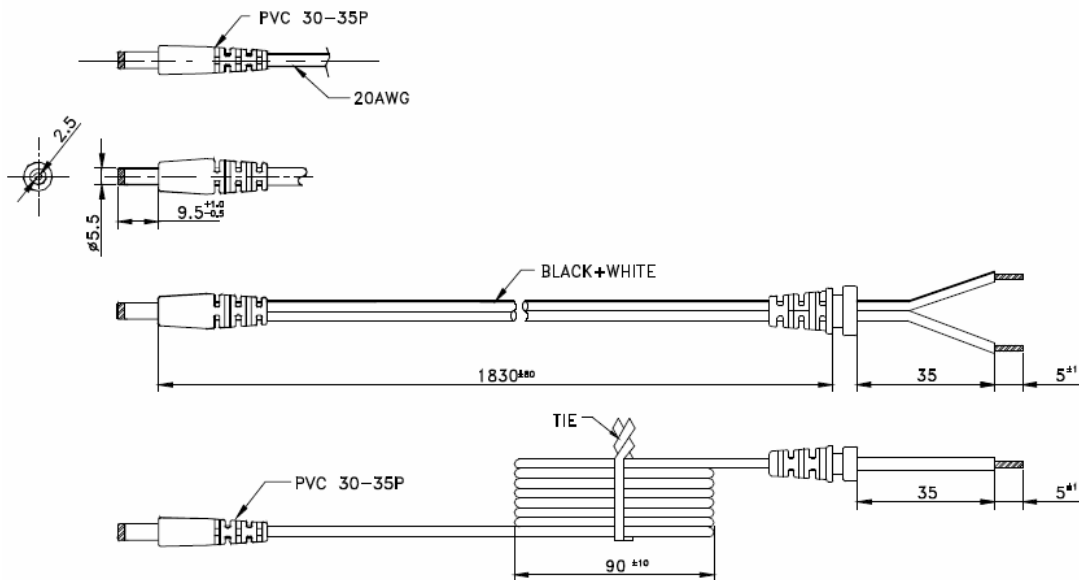
DC OUTPUT CORD DRAWING

T0927-21G / 1225-21G / T2412-21G



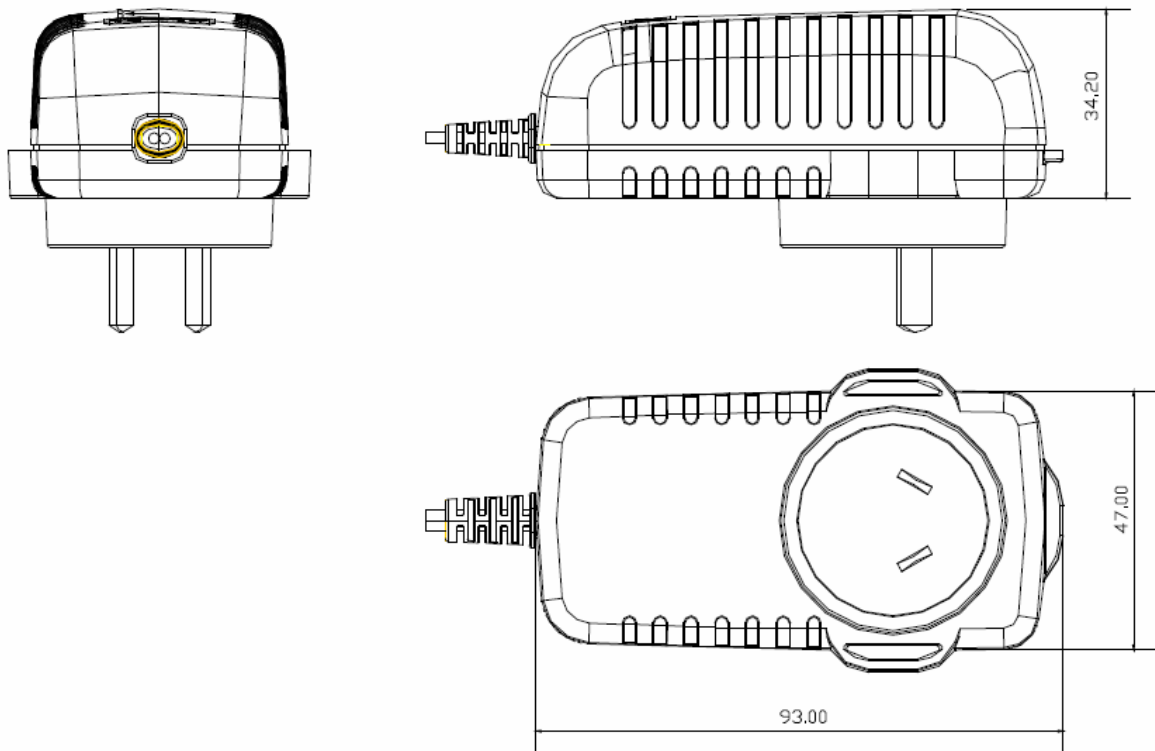
NOTE: (unit:mm)
 1).WIRE TYPE:VW-1SC 1185 80°C Ø3.5 300V L=2000mm 2C 18AWG BLACK
 2).WIRE JACKET MATERIAL:PVC (94V-0)
 3).THE POLARITY: ⊖ ⊕

T1516-25G

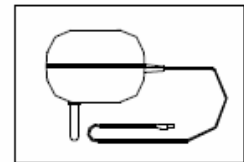
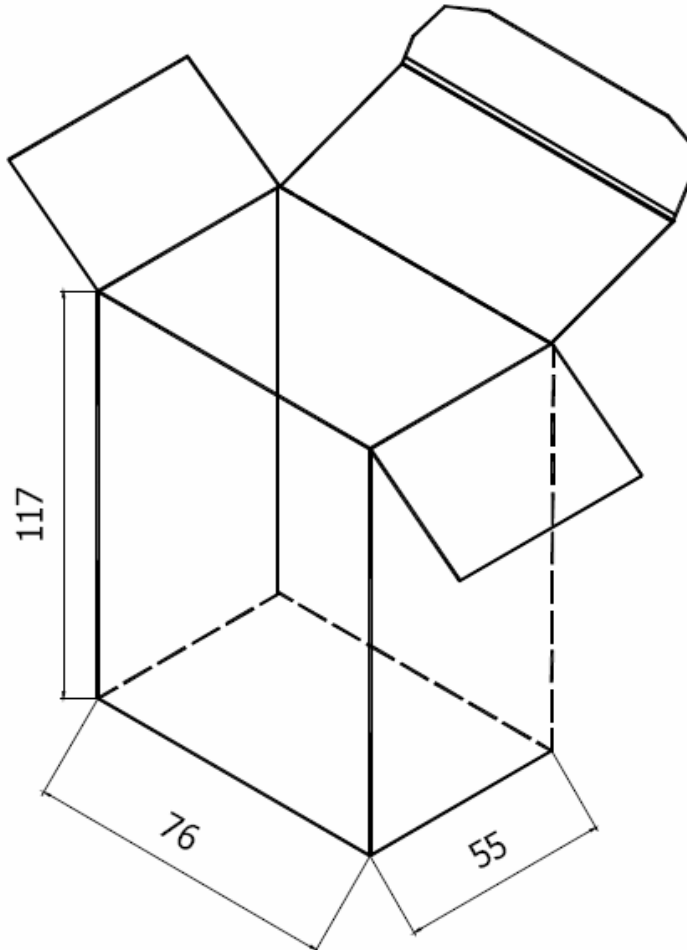


NOTE: (unit:mm)
 1).WIRE TYPE:2468 VW-1 80°C 300V L=1830mm 2C 20AWG BLACK+WHITE
 BLACK and WHITE-----Positive BLACK-----Negative
 2).WIRE JACKET MATERIAL:PVC (94V-0)
 3).THE POLARITY: ⊖ ⊕

PRODUCT OUTLINE DRAWING



PACKING DRAWING



Bag