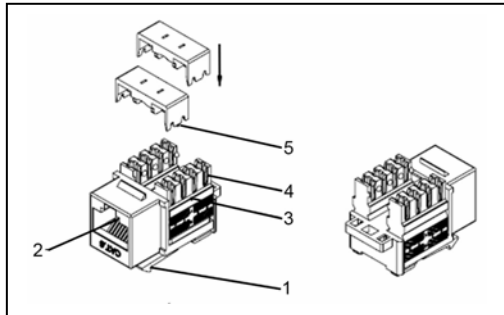


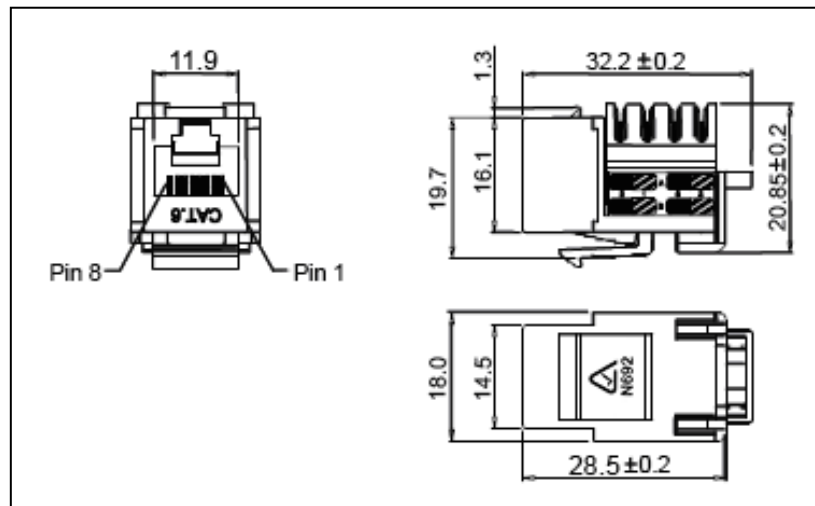
P4518 Cat-6 Keystone Jack

MATERIAL



1		Plastic Housing: ABS + PC, UL 94V-0
2		RJ45 Contact Material & Finish
	2.1	Phosphor bronze with 50-60u" Nickel Plating
	2.2	Contact Area: Min. 3mm 50u" Gold Plating
3		IDC Housing: PC UL 94V-2
4		IDC Terminal Material & Finish
	4.1	Phosphor Bronze with 50u" Tin/Lead Plating over 50-60u" Nickel Plating
	4.2	110 & Krone Tool compatible
	4.3	For 22-26AWG stranded & solid wire
5		IDC Cap: ABS UL 94-HB

DIMENSIONS



PERFORMANCE

1		Insertion Force: 900grms for 8 seconds
2		Retention Strength: 7.7kgs between Jack & Plug
3		Operating Temperature: -40°C to +80°C
4		Durability
	4.1	Jack: 750 cycles Plug-Jack mating & un-mating test. Insertion cycles at 2-cycles/minute max. Contact resistance test per 100 cycles.
	4.2	IDC: Max 200 punching times
5		Cat-6 performance is compliant with standard ANSI/TIA/EIA 568 B.2-1.

LABELLING

Combined T568A & T568B colour codes shown.