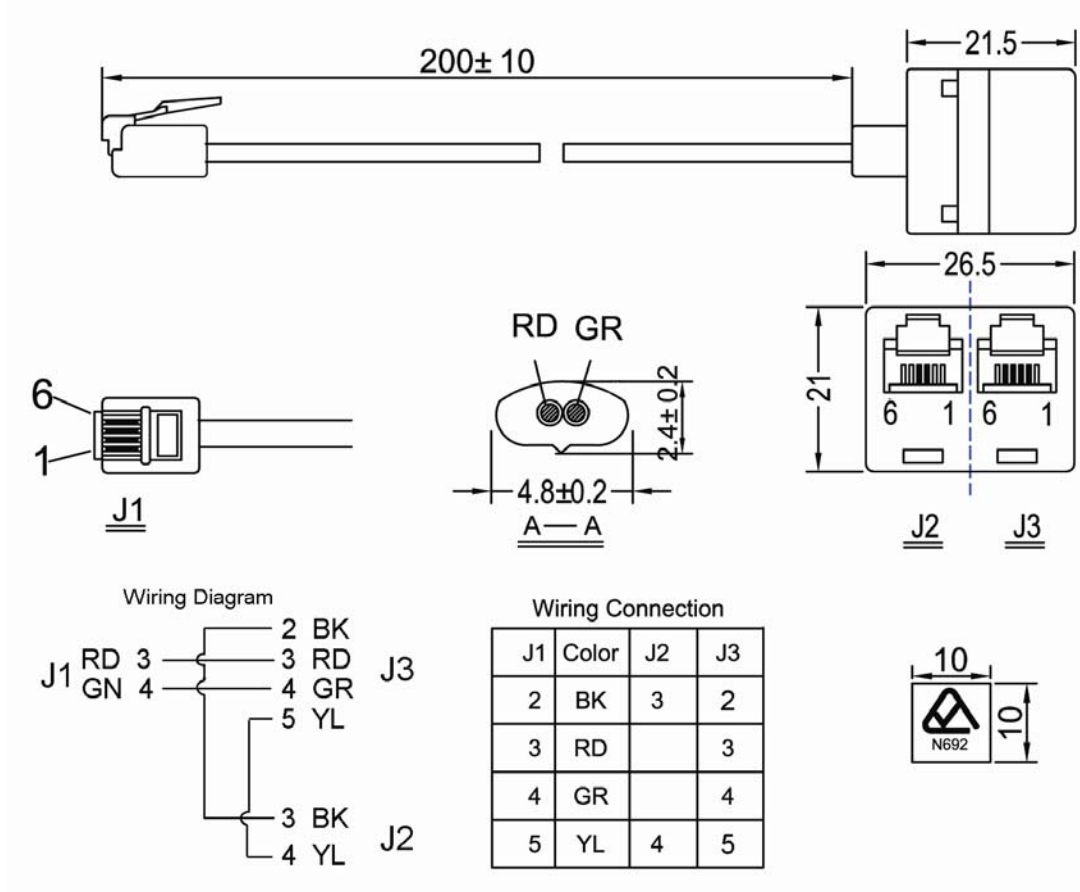


Product Drawing



Specifications

Conductors	: 4 x 7/0.12mm ² copper
Cable sheath	: PVC jacket 2.4 x 4.8mm
J1	: 6P2C modular plug
J2	: 6P2C modular socket
J3	: 6P4C modular socket
Material: Contacts	: Gold Plated
Socket Casing	: ABS
Colour:	: Ivory