

42D Series T0940TOU Plug-in Switch Mode Power Supply Unit

INPUT

	MINIMUM	NORMAL	MAXIMUM
AC Input Voltage	90V AC	100 – 240V AC	264V AC
AC Input Frequency	47 Hz	50 / 60 Hz	63 Hz
AC Input Current – 115V AC (max)			0.8A
AC Input Current – 230V AC (max)			0.4A
AC Inrush Current* – 115V AC, 60Hz	No damage shall occur and the input fuse shall not blow.		
AC Inrush Current* – 230V AC, 50Hz			
Primary current protection	An internal fuse on the AC input line is provided.		
Configuration	3-conductors, <Active, Neutral, Earth>		

* At full-load, 25°C, cold start.

Power consumption at no load (maximum)

Input 110V AC 60 Hz	0.50W max
Input 230V AC 50 Hz	0.75W max

OUTPUT

Normal DC Output Voltage	+9.0V
Minimum Load Current	0.0A
Maximum Load Current	4.0A
Maximum Output Power	36W
Total Output Regulation	+/- 5%
Dynamic Load Regulation *	+/- 5%
Short-circuit protection	No damage when shorting the DC output to ground.
Open-circuit protection	When primary power is applied with no load on any output level, no damage or hazardous conditions should occur.
Drop-out	With half cycle input voltage drop-out, the unit shall meet the regulation requirement and operate within the prescribed voltages with a drop-out pulse repetition rate of 500mS under full load and with normal AC input voltage.

* For 50% ~ 100% ~ 50% load change at any frequency up to 250Hz with 50% duty.

42D Series T0940TOU Plug-in Switch Mode Power Supply Unit
MECHANICAL

Dimensions	102.5(L) x 57.5(W) x 34.5(H)mm maximum.
Weight	280g maximum.
Input Plug Type	IEC-C14 3-pin 3-conductors, <Active, Neutral, Earth>
Output Cord	Wire: SPT-1, VW-1, 18AWG, 800mm.
Output Plug	11(L) x 5.5(D) x 2.1(ID)mm

ENVIRONMENTAL

Cooling	Natural convection.
Operating Temperature	0°C to +40°C
Storage Temperature	-20°C to +60°C
Operating Humidity	20 ~ 85 % RH. Non-condensing
Storage Humidity	5 ~ 95 % RH. Non-condensing

SAFETY

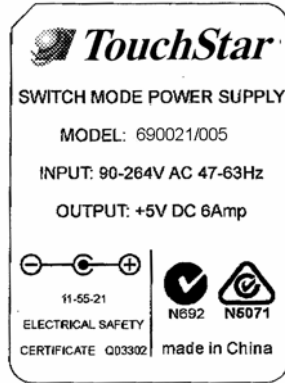
Dielectric withstanding voltage test (Hi-pot test) input to output	1,800V AC, 10mA, 1 second OR 2,545V DC, 10mA, 1 second.
Dielectric withstanding voltage test (Hi-pot test) input to safety ground	1,500V AC, 10mA, 1 minute OR 1,800V AC, 10mA, 1 second.
Ground continuity test. Primary inlet F.G to secondary ground	25A for 3 seconds, 100mΩ maximum.
Insulation Resistance	> 100MΩ at 500V DC between Primary Active, Neutral line and secondary.
Leakage Current	0.5mA maximum at normal AC input voltage and frequency

RELIABILITY

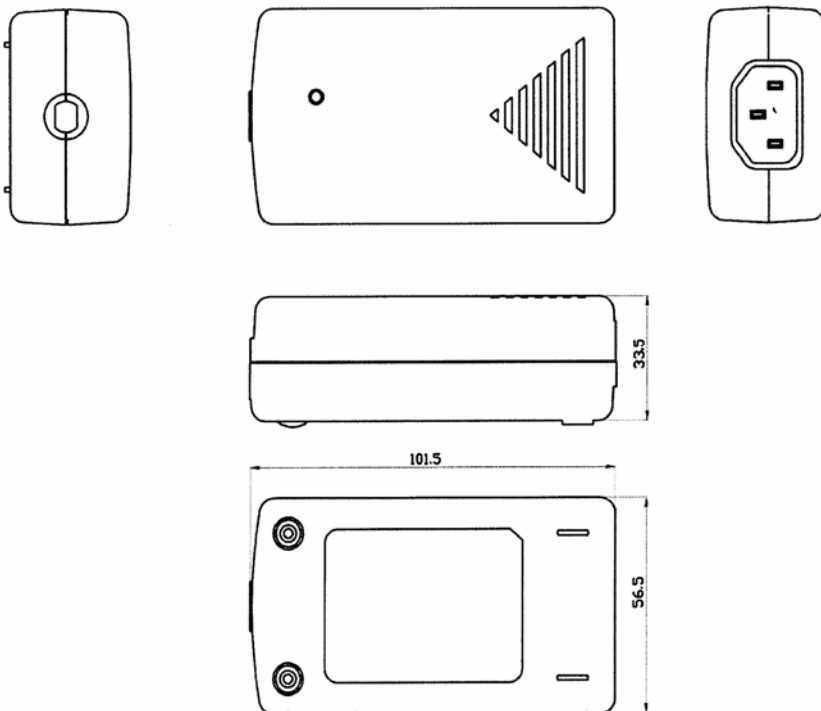
Mean Time Between failure (MTBF)	The power supply is designed to have a MTBF of 50,000 operating hours at 90% confidence-level.
Burn-in Test	4 hours at 40°C +/- 5°C, normal input voltage, 80% of maximum load.

42D Series T0940TOU Plug-in Switch Mode Power Supply Unit

RATING PLATE

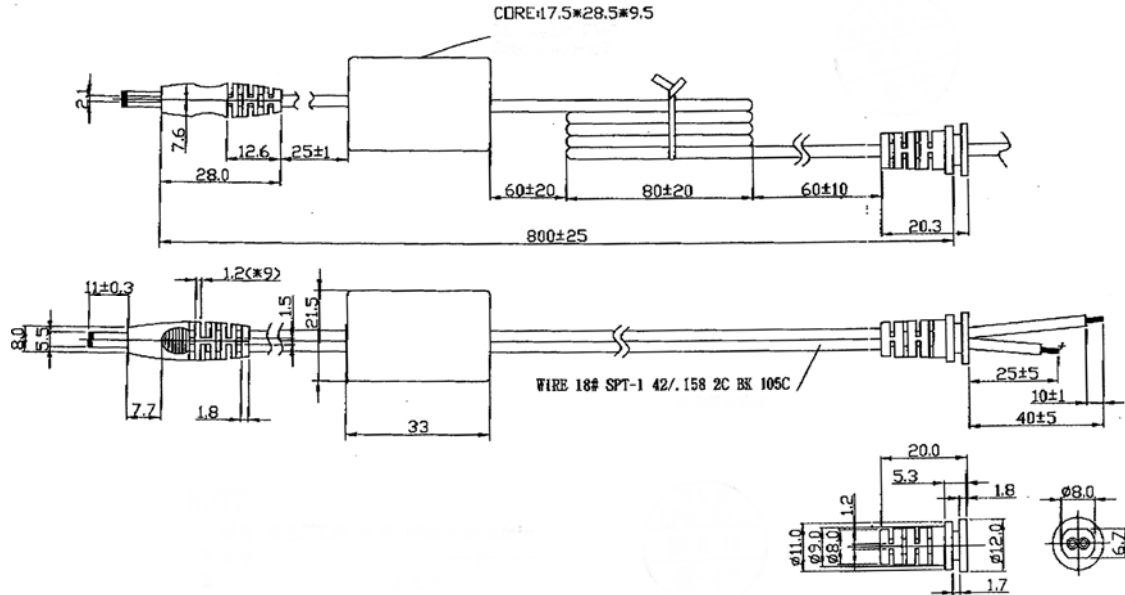


PRODUCT OUTLINE DRAWING



42D Series T0940TOU Plug-in Switch Mode Power Supply Unit

DC OUTPUT CORD DRAWING



PACKING DRAWING

