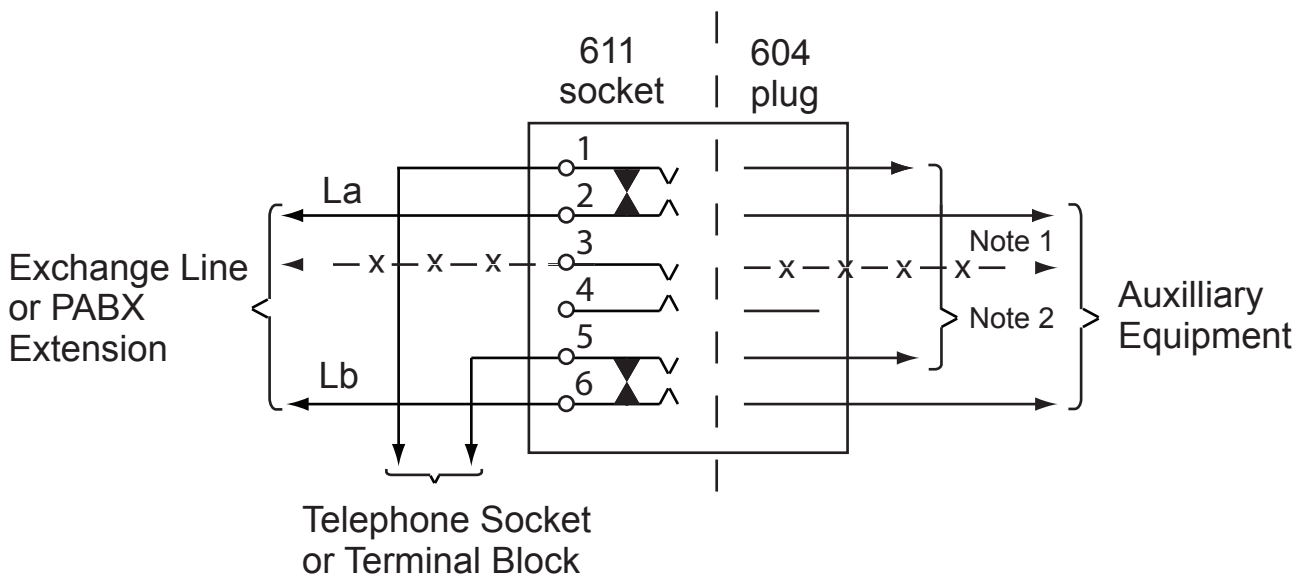


Connection Mode 3

For an exchange line or PABX extension where both speech leads need to be switched to the telephone on removal of the plug.



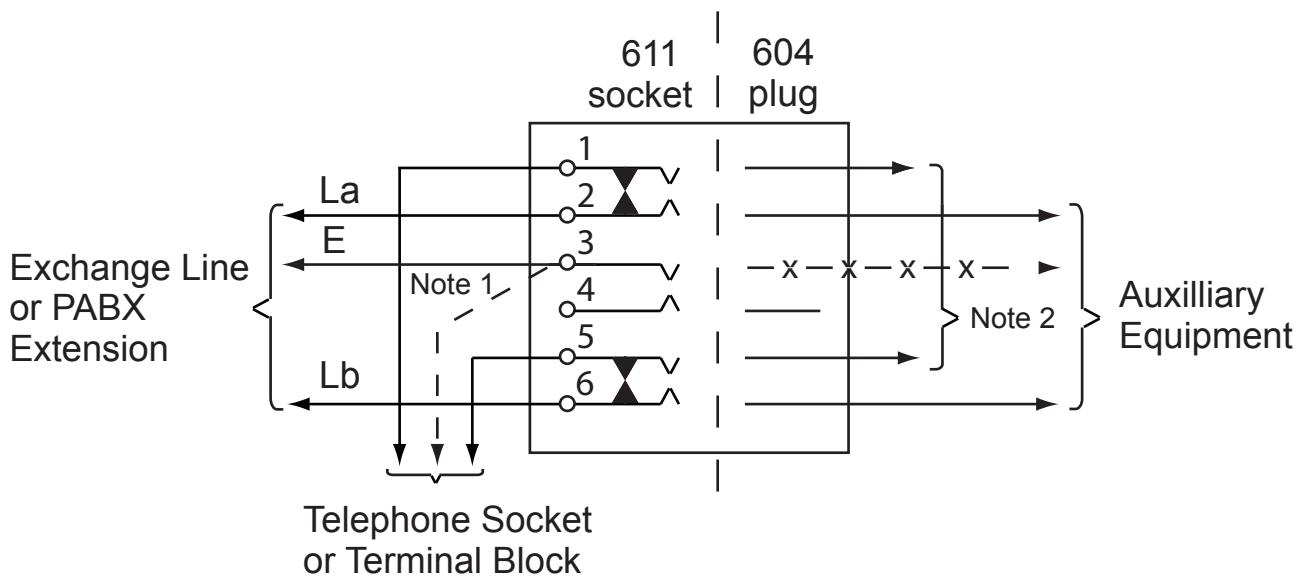
Note 1. If an earth is required for auxiliary equipment it is connected as shown thus: -x-x-x-

Note 2. Connection to these terminals is required only where the auxiliary equipment incorporates facilities for switching the line to the telephone.

Note 3. Where the telephone is connected to a 4 wire extension from a PABX, terminate the fourth wire on terminal 4 of the 611 socket.

Connection Mode 4

For an exchange line or PABX extension requiring an earth, where both speech leads need to be switched to the telephone on removal of the plug.



Note 1. Where an earth to the telephone is used for recall etc., connect as shown thus: - - -

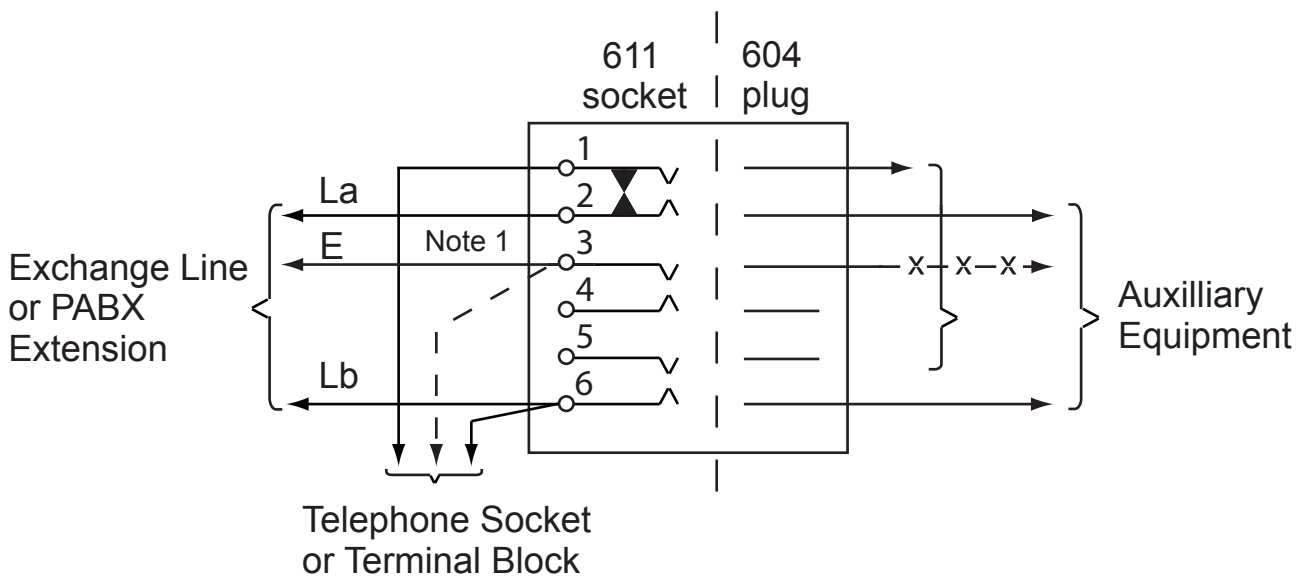
If an earth is required for auxiliary equipment it is connected as shown thus: - x - x - x -

Note 2. Connection to these terminals is required only where the auxiliary equipment incorporates facilities for switching the line to the telephone.

Note 3. Where the telephone is connected to a 4 wire extension from a PABX, terminate the fourth wire on terminal 4 of the 611 socket.

Connection Mode 5

For an exchange line or PABX extension where one speech leads needs to be switched to telephone on removal of the plug.



Note 1. If earth is used for recall etc. connect to telephone as shown thus: - - - -

If an earth is required for auxiliary equipment, connect as shown thus: -x-x-x-

Note 2. Where the telephone is connected to a 4 wire extension from a PABX, terminate the fourth wire on terminal 4 of the 611 socket.